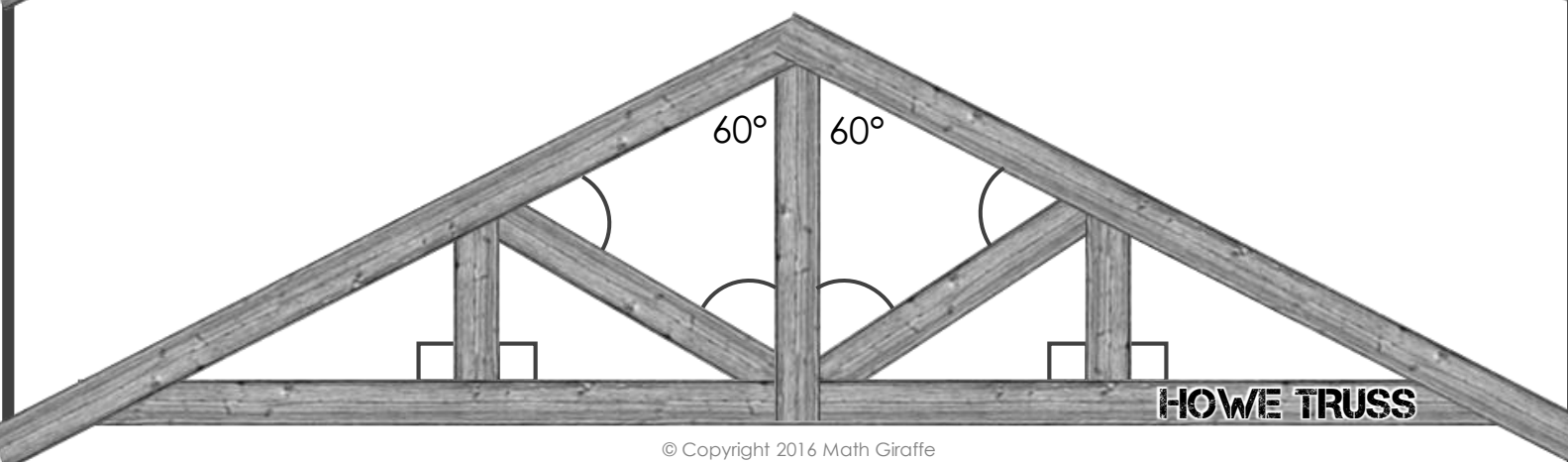
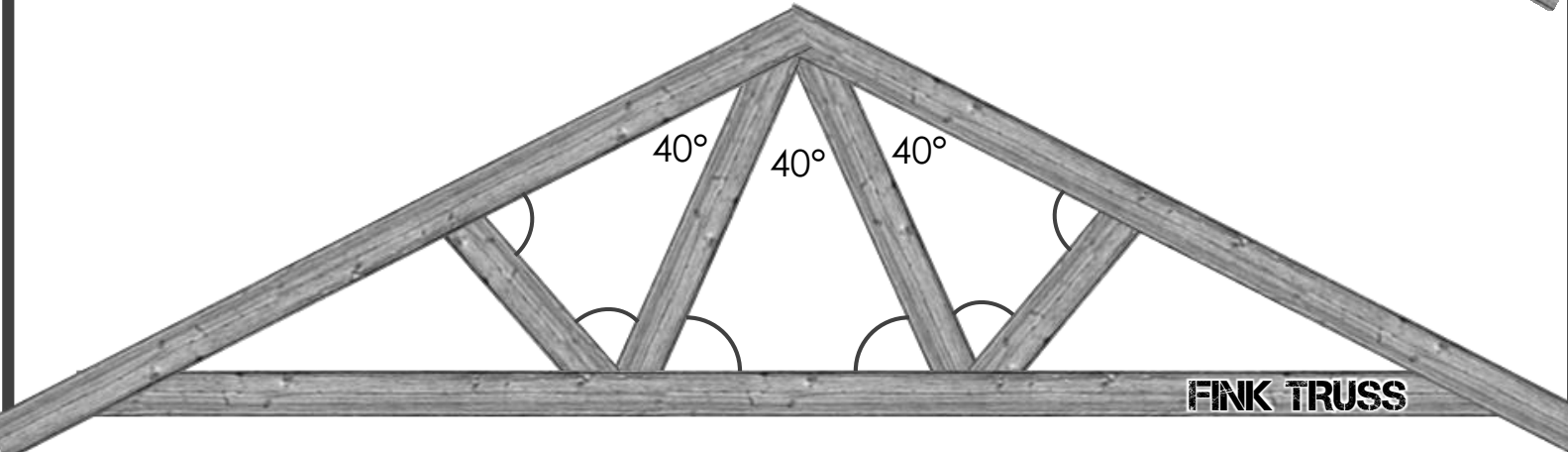
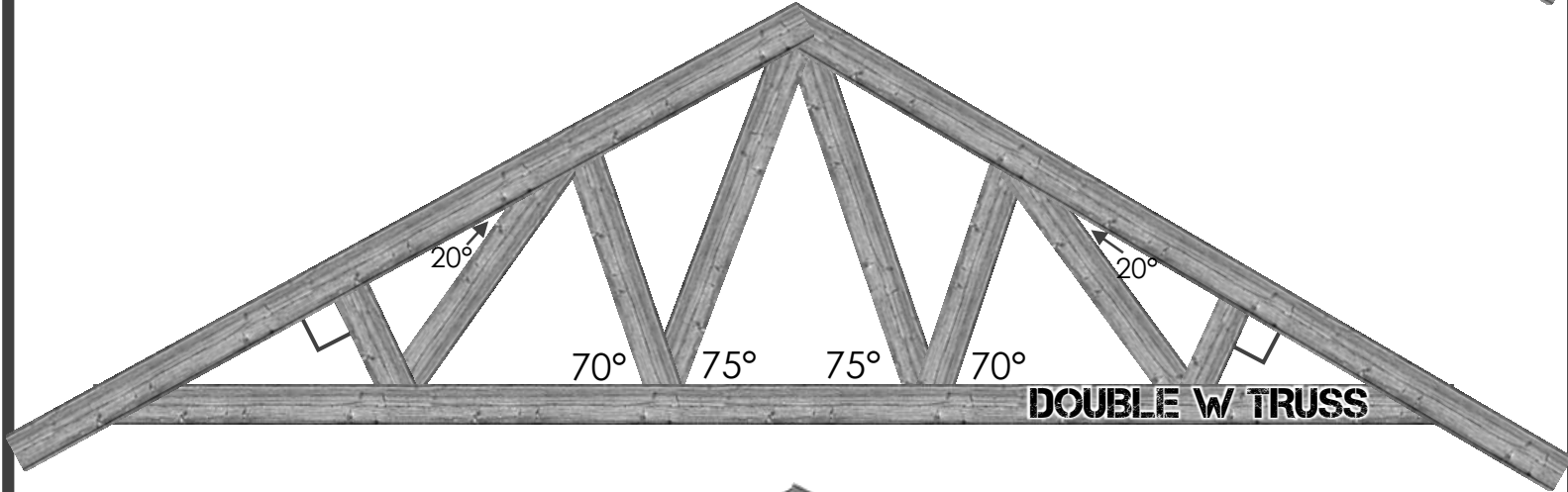
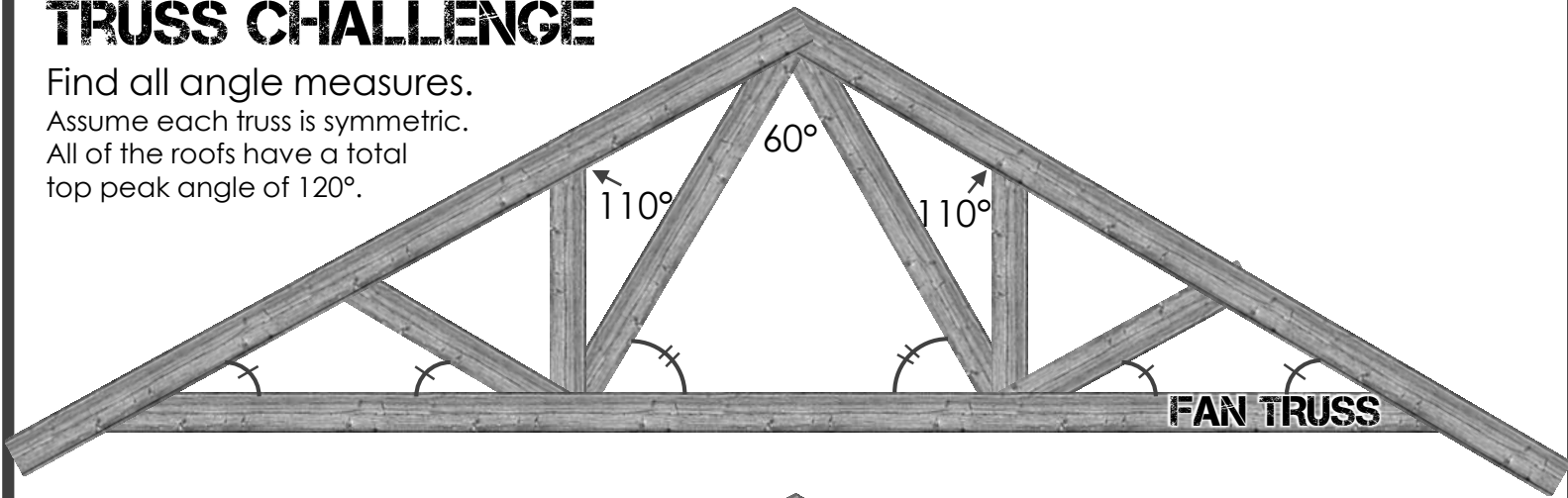


TRUSS CHALLENGE

Find all angle measures.
Assume each truss is symmetric.
All of the roofs have a total top peak angle of 120° .



TRUSS CHALLENGE

Answer Key

Find all angle measures.
Assume each truss is symmetric.
All of the roofs have a total top peak angle of 120° .

